

## When not using for a long term (CUSTODY WASH) (firmware Ver.2.20 or older)

When the machine is not going to be used for a week or more, use the cleaning function for custody to clean the head nozzles and ink discharge passage. After this, keep the machine in custody. This function is available for the firmware Ver. 2.20 or earlier.

Check the items on the right beforehand.

### Is [NEAR END] or [INK END] displayed?

- The cleaning solution or ink is absorbed when the nozzles are washed. At this time, if the state of "no ink" or "almost no ink" is detected, the nozzle washing operation cannot start.
- Replace the cartridge with another from which the state of "almost no ink" or "no ink" is not detected.



- When the following messages are displayed, check the waste ink tank and perform the operations described on P.6-39 "If a Waste Ink Tank Confirmation Message Appears" as necessary.

Confirm a wastetank  
Continue< >Exchange

Confirm a wastetank  
Exchange :ent

- 1 Press the **MODE CHANGE** key in LOCAL to select the printing mode.

<LOCAL.1> [#01]  
WIDTH:\*\*\*mm

- 2 Select [ST. MAINTENANCE] of the maintenance menu.

- (1) Press the **FUNCTION** key.
- (2) Press **▲** **▼** to select [MAINTENANCE] and press the **ENTER** key.

- 3 Press the **ENTER** key.

ST.MAINTENANCE  
CARRIAGE OUT <ent>

- 4 Press **▲** **▼** to select [COSTODY WASH].

ST.MAINTENANCE  
COSTODY WASH <ent>

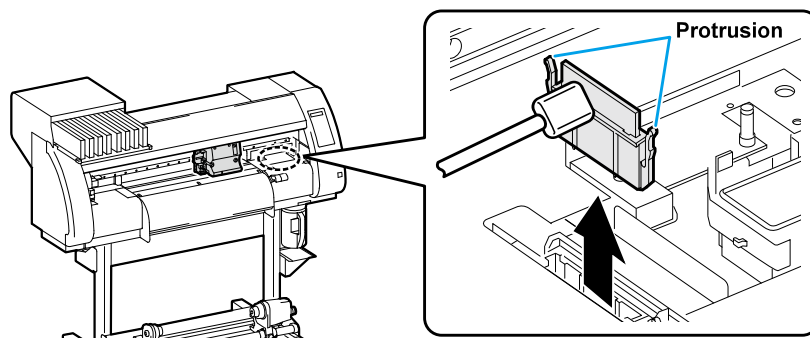
- 5 Press the **ENTER** key.

- The carriage moves onto the platen.

WIPER CLEANING  
COMPLETED(NEXT) :ent

- 6 Clean the wiper and bracket.

- (1) Pull out the wiper by holding the protrusions at its both ends.
- (2) Clean the wiper and bracket with a clean stick dipped in cleaning solution for maintenance (SPC-0369).
- (3) Insert the wiper into the original position by holding the protrusions at its both ends.

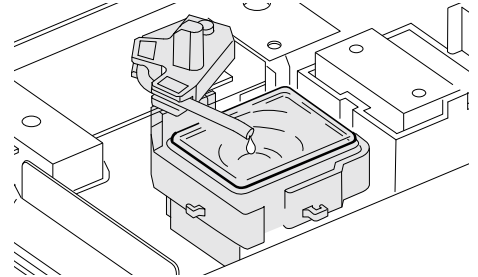


**7** Press the **ENTER** key.

Fill the liquid.  
COMPLETED(NEXT) :ent

**8** Press the **FUNCTION** key and fill up the cap with cleaning solution for maintenance.

- When you press the **FUNCTION** key, cleaning solution drips into the cap.
- When you press the **FUNCTION** key again, the solution stops dripping.
- Repeat the drops several times to fill the cap with the cleaning solution just before the solution overflows from the cap.



**9** Press the **ENTER** key.

ST.MAINTENANCE  
LEAVING TIME : 1min

**10** Press **▲▼** to set the time for the cleaning solution to be left as it is.

- Set value: 1 to 99 min (by the unit of 1 min)

ST.MAINTENANCE  
LEAVING TIME : 2min

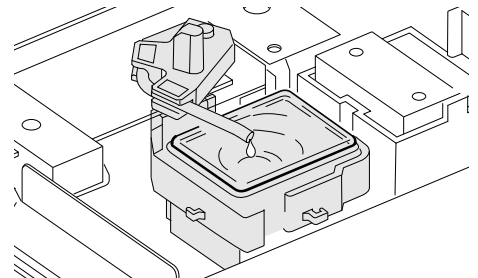
**11** Press the **ENTER** key.

- The nozzles are washed.
- When the nozzles have been completely washed, the head moves onto the platen.

\*Being Initialized\*  
PLEASE WAIT

**12** Press the **FUNCTION** key and fill up the cap with cleaning solution for maintenance.

- When you press the **FUNCTION** key, cleaning solution drips into the cap.
- When you press the **FUNCTION** key again, the solution stops dripping.
- During the idle absorbing is interrupted, repeat the drops several times to fill the cap with the cleaning solution just before the solution overflows from the cap.



**13** Press the **ENTER** key.

- After its initial operation, the machine returns to LOCAL.

\*Being Initialized\*  
PLEASE WAIT